

# SM48 Hand Dryer

Economical Automatic Hand Dryer



*by World Dryer Corporation*



- Modern sleek design
- Quiet sound level
- Affordable pricing with durable Aluminum cover
- Automatic activation



# Electric-Aire SM48 Hand Dryer

## Economical Automatic Hand Dryer

**Economical & Durable** - Electric-Aire SM48 hand dryer is the newest economical stylish and durable hand dryer with cover of die cast Aluminum with white epoxy enamel.

**Stylish Design** - Modern sleek design complements any washroom décor.

**Quiet** - SM48 hand dryer is quiet with low sound level. It is the best choice of light traffic facility.

**Automatic Operation** - Automatic operation encourages healthy hygiene.

### Electrical information

Volts	Amps	Watts	Freq
220-240 V	7.8	1800	50/60 Hz

### Performance

Air Speed	Air Flow	Temperature Rise
30 MPH (2600 LFM)	91 CFM	76°F



## Why Choose Hand Dryers?

### Best Cost Savings

- 90%+ Savings over the cost of paper towels

### Lowest Maintenance

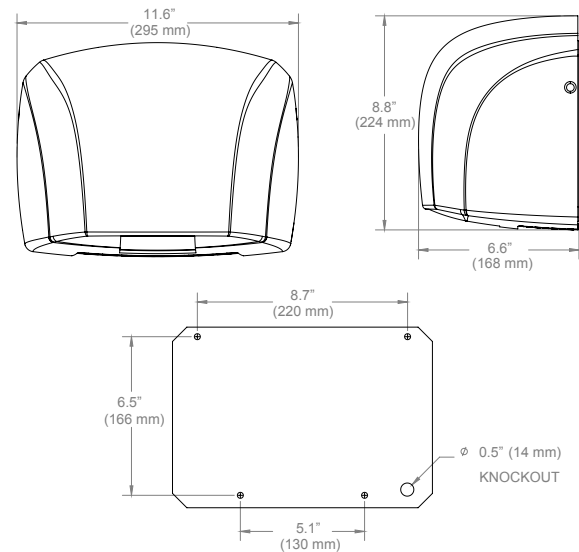
- No purchasing or stocking of paper towels,
- No overflowing trash cans to empty
- No fear of running out of paper towels
- No paper towels clogging your toilets

### More Hygienic

- Reduces micro-organisms
- No dirty towel overflow and littered floors
- Automatic activation prevents cross contamination

### Environmentally Friendly

- Saves Trees
- Less waste removed to landfills
- Helps to Earn LEED credits



Model	Cover Material	Cover Color	Mounting Options	Unit Weight	Unit size HxWxD	Shipping size HxWxD
SM48-974	Aluminum	White	Surface	8.8 lbs / 4 kgs	11.6" x 8.8" x 6.6" 295 x 224 x 168	12.5" x 10.5" x 7.8" 318 x 267 x 197



**WORLD DRYER**

92-MT046 Rev02

5700 McDermott Drive, Berkeley, IL 60163  
 Tel: (800) 323-0701, (708) 449-6950  
 Fax: (708) 449-6958  
[www.worlddryer.com](http://www.worlddryer.com)

Distributor