

# NOVA® 1 Plug-in & LN



## Economical Hand Dryer

NOVA® 1 Plug-in and Electric-Aire LN Hand Dryer with compact size design are affordable and good performance hand dryers. LN with modern stylish cover design and universal voltage features that fits most electric supplies. NOVA 1 Plug-in offers hassle-free quick installation. Both are economical washroom solution for low to medium traffic facilities.

### Product Benefits

- Automatic operation
- Surface mounted
- **LN** - Universal-voltage (110-240 VAC); **NOVA® 1 Plug-in** - 110-120 VAC
- **NOVA® 1 Plug-in** - easy installation
- Low sound level
- Durable and vandal resistant
- Modern stylish design

### Design Features

#### Dryer

- Activated by infrared sensor, automatic drying cycle.
- **NOVA® 1 Plug-in** - equipped with external three-prong conductor plug cord
- Incorporates a Nichrome wire heating element Protected by a bi-metal thermostat and one shot thermal cutoff
- Provides a 70° F temperature rise

#### Motor

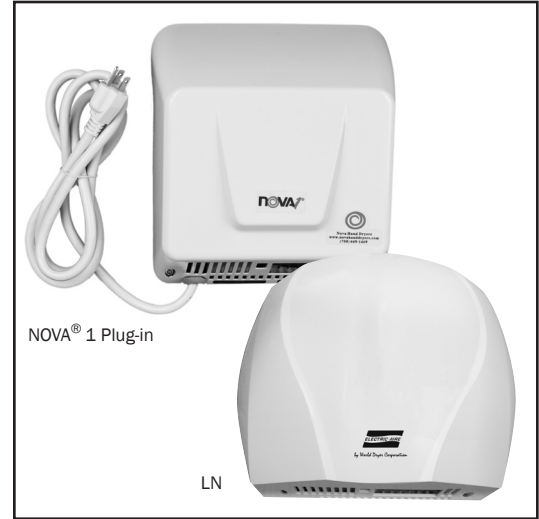
- Thermally-protected, universal brush-type motor operating at 7,500 RPM
- Delivering 88 CFM air flow at a velocity of 6,800 LFM (77 MPH)

#### Materials

- Cover material: Cast Aluminum with epoxy enamel finish
- Wall-mounted base: Pre-plated cold rolled 14 GA steel base
- Internal components: Corrosion resistant materials

### Architecture & Engineering Specifications

NOVA® 1 Plug-in and Electric-Aire LN hand dryers shall be manufactured by or for World Dyer to include cover of die cast Aluminum with white epoxy enamel. Motor shall be thermally protected brush type with minimum 7500 RPM with a single shaft. Dryer shall deliver 88 cubic feet per minute of air volume (6800 LFM), and shall be activated by an infrared sensor. LN shall be controlled by a microprocessor that allows multi-voltage application (110 VAC to 240 VAC - 50 or 60 Hz). NOVA® 1 Plug-in units shall be equipped with a 6 foot long cord and three-prong conductor plug, and shall include mounting bracket and hardware. Plug-in units available only in 120 VAC, 60 Hz for use with common wall outlets. Both dryers shall be surface mounted. NOVA® 1 Plug-in and Electric-Aire LN hand dryers shall be listed under reexamination service of Underwriters Laboratories, Inc.



### Product Specifications

#### NOVA® 1 Plug-in Electrical Specifications

	110- 120 V
Amps	8
Watts	1000
Hz	60

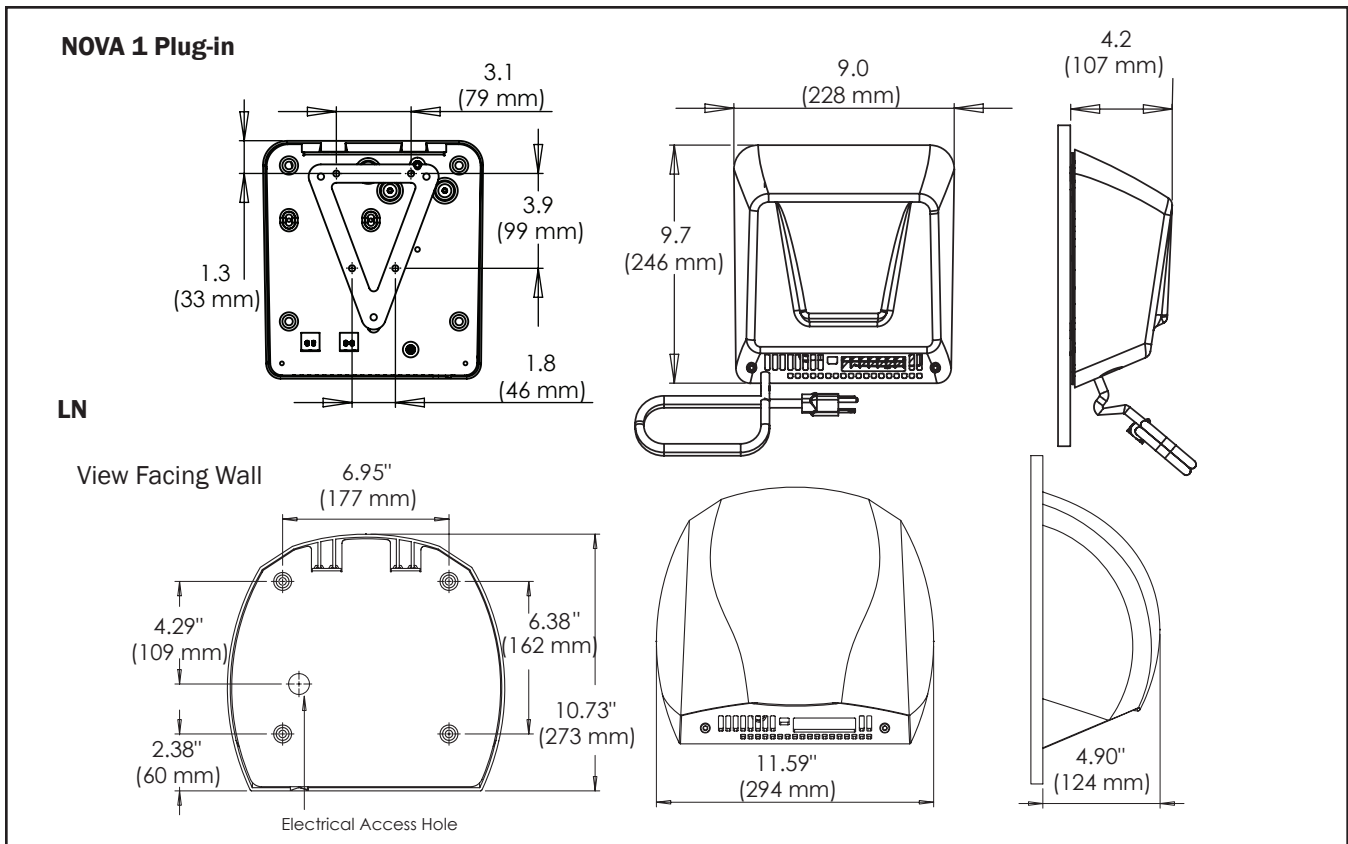
#### LN Electrical Specifications

	110-120 V	208 V	240 V
Amps	8	6	7
Watts	1000	1000	1000
Hz	60	60	60

#### Cover options:

**Cast Aluminum** - with epoxy paint finish

Model	Electric Info	Operation	Mounted	Cover Material, Cover Finish	Unit Weight	Shipping Weight	Unit size HxWxD	Shipping size HxWxD
NOVA® 1 Plug-in #0833	110-120 V	Automatic	Surface	Aluminum, White	7.5 lbs 3.4 kgs	8.6 lbs 3.9 kgs	9.0" x 9.7" x 4.0" 228 x 246 x 100	13" x 12" x 8" 330 x 246 x 203
Electric-Aire LN-974	110-240 V	Automatic	Surface	Aluminum, White	7.8 lbs 3.5 kgs	10 lbs 4.5 kgs	10.7" x 11.6" x 4.9" 273 x 294 x 124	14.5" x 13.8" x 8" 370 x 350 x 205



**Placement Instruction**

- Hand dryers should be spaced at least 2’ apart, near but not over the wash basin
- Automatic dryers should be located more than 18” above or away from any reflective surface that may interfere with the sensor operation.
- In congested areas, dryers should be located to create a flow from wash basin to dryer to exit
- Dryer Quantity Recommendation:  
 Average Traffic: 1 dryer per 2 wash basins  
 Heavy Traffic: 1 dryer per wash basin  
 Industrial 54” Circular wash fountains: 4 dryers per sink
- Recommended mounting heights from floor to dryer bottom edge

Washrooms	Surface Mounted
Men’s washrooms	46” (117 cm)
Women’s washrooms	44” (112 cm)
Children’s washrooms, ages 4-7	32” (81 cm)
Children’s washrooms, ages 7-10	36” (91 cm)
Children’s washrooms, ages 10-13	40” (102 cm)
Children’s washrooms, ages 13-17	44” (112 cm)
Handicap Mounting Height	37” (94 cm)

Measured from floor to the bottom of the unit.

**Installation Guide**

- LN and NOVA 1 Plug-in hand dryers require a dedicated 15 AMP circuit and must be properly grounded
- GFI circuit protection is recommended.
- One side of dryer should be mounted to a stud

**Certification Approved**

LN and NOVA 1 Plug-in hand dryers



LN hand dryers

**IPX1**

**Warranty**



2 year limited warranty



5700 McDermott Drive  
 Berkeley, IL 60163 U.S.A.  
 800-323-0701  
 www.worlddryer.com